

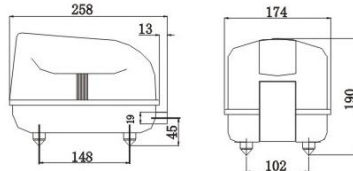
Nieuwe innovatie luchtpompen nu verkrijgbaar!

- Non-oil lubricated, Powerful and durable.
- Economical motor with environmental friendly design.
- Diffuse heat quickly with unique construction.
- Suitable for Koi ponds and various kinds of aquaria.



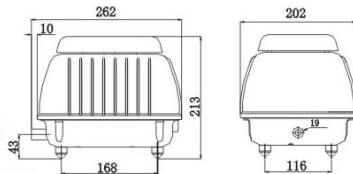
In plastic cover

LP-40



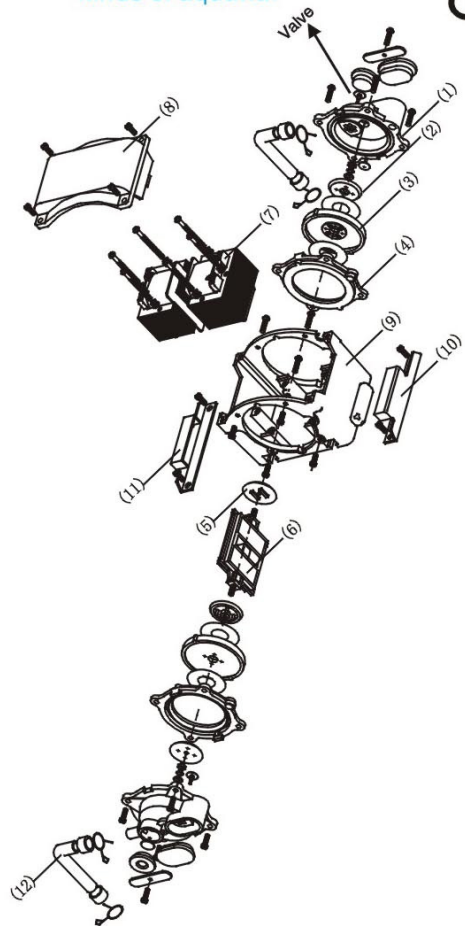
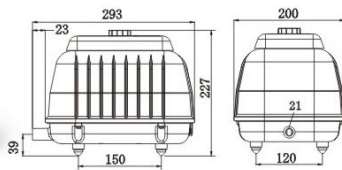
In aluminum cover

LP-60



In aluminum cover

LP-100



1	Air chamber with valves	4	Diaphragm base	7	Motor	10	Right limit block
2	Diaphragm back board	5	Diaphragm front board	8	Coil cover	11	Left limit block
3	Diaphragm	6	Magnetic frame	9	Coil base	12	Rubber tube

MODEL	VOLTAGE	FREQUENCY	POWER	EXHAUST	PRESSURE	FIT FOR WATER DEPTH MAX.	AIR DIVIDER OUTLETS
LP-40	100-120/220-240V	50/60Hz	35W	50L/min	0.030MPa	2.8m	12
LP-60	100-120/220-240V	50/60Hz	50W	70L/min	0.037MPa	3.5m	14
LP-100	100-120/220-240V	50/60Hz	100W	140L/min	0.042MPa	4.0m	33

Plastic and metal air dividers available.

